

## FEATURES & SPECIFICATIONS

### INTENDED USE

Recessed downlight module that provides a precise 38° full width half max (FWHM) beam angle with an engineered specular upper reflector and a patented micro-prismed lens. Suitable for installation into an existing rough-in section. Also available with a dedicated rough-in section for new construction. IC rated and wet location listed.

### CONSTRUCTION

Rugged, one-piece, die-cast heat sink design for optimal cooling efficiency.

Precisely designed elliptical upper reflector and micro-prismed lens for precise beam control. The optics are fitted tightly to the housing to reduce the ingress of insects and dust. Lower splay recesses optical system into the ceiling to prevent glare and provide a traditional PAR look.

Twin torsion springs ensure easy installation.

Uses 3000K/85 CRI LEDs.

### OPTICS

The system maintains 70% lumen output at 50,000 hours in a typical IC environment.

### ELECTRICAL

All electronics are mounted on the module; no access to the junction box is required.

Utilizes high-brightness LEDs on a metal core circuit board, ensuring cool-running operation.

On-board circuitry to ensure protection against wiring errors.

High-efficiency driver mounted on the module. Primary power disconnect provided for simple connection to a standard Edison (E26) base socket.

L7XLED T24 and L7XRLED T24 housings provide accommodation for dedicated LED installations.

Standard incandescent triac dimmers; dimming down to 25%.

Lighting module should be installed in applications where ambient temperatures do not exceed 35°C. Ambient temperatures that exceed 35°C will result in reduced lamp life and will void warranty.

Standard input wattage is 12.0W, 50 lumens per watt.

### INSTALLATION

Suitable for installation in standard-height rough-in sections. Fits into most popular 6" housings.

### LISTINGS

UL Listed to US safety standards. Wet location listed.

### WARRANTY

Three-year limited warranty.

Catalog Number
Notes
Type

6" LED Module

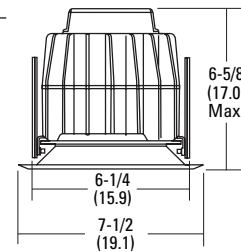


IC/Non-IC  
New Construction/Remodel/Retrofit



### Specifications

Aperture: 4-3/8 (11.1)  
Ceiling opening: As rough-in  
Overlap trim: 7-1/2 (19.1)  
Height: 6-3/8 (16.2) max.  
Weight (module only): 2.8 lbs.  
Weight (module and carton): 3.96 lbs.  
All dimensions are inches (centimeters) unless otherwise noted.



### ORDERING INFORMATION

For shortest lead times, configure products using **bolded options**.

**Example: REAL6 D6MW**

REAL6 D6		Lumen output <sup>1</sup>	Color temperature	Voltage	Options
Series	Finish	(blank) 600 lumens	(blank) 3000K	(blank) 120V	(blank) Module includes Edison base socket adapter; rough-in not included
REAL6 D6 6" open downlight	MW Matte white, open				L7XLED T24 REALITY new construction rough-in <sup>2</sup>
	A Clear diffuse, open				L7XRLED T24 REALITY remodel rough-in <sup>2</sup>
	BN Brushed nickel, open				
	ORB Oil-rubbed bronze, open				
	BZA Antique bronze, open				

Accessories: Order as separate catalog number.	
TSA6	Makes non-bracket housings compatible with the LED module
FL2LED	Makes L7XF housings compatible with the LED module
CTR6	6" goof ring, white



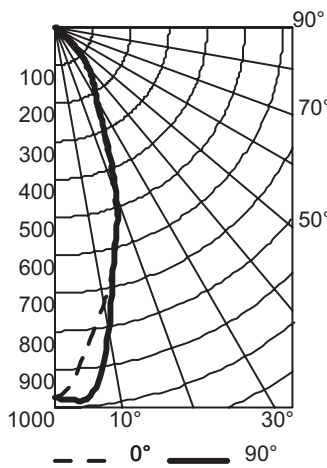
### Notes

- Total system delivered lumens.
- Utilizes a quick-disconnect to make electrical connection to the module. Edison base socket not included. Meets Title 24 compliance.

# 6 Series REALITY™ 6" LED

## PHOTOMETRICS

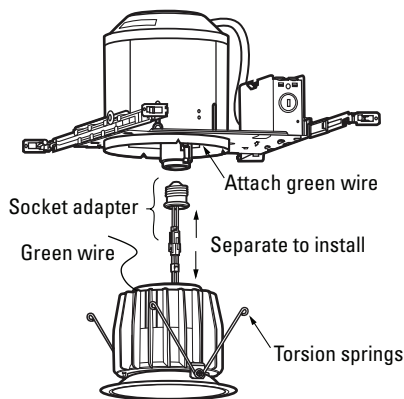
REAL6 D6MW, 3000K LEDS, 600 delivered lumens, 12.0 input watts, test no. LTL 18880



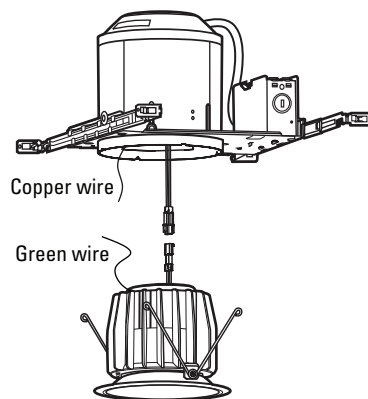
CP Summary			Coefficients of Utilization									Zonal Lumen Summary					
	0°	90°	pf	80%			20%			50%			Zone	Lumens	% Lamp	% Fixture	
			pc	70%	50%	30%	50%	30%	10%	50%	30%	10%					
	0°	974	974	0	119	119	119	116	116	116	111	111	111	0° - 30°	400	66.6	66.6
	5°	868	981	1	113	110	108	108	106	104	104	102	101	0° - 40°	510	84.9	84.9
	15°	616	608	2	108	103	98	101	97	94	98	94	92	0° - 60°	592	98.6	98.6
	25°	296	311	3	102	95	90	94	89	85	91	87	84	0° - 90°	600	100.0	100.0
	35°	178	175	4	97	89	83	88	83	79	86	81	78	90° - 180°	0	0.0	0.0
	45°	88	84	5	92	83	77	82	77	73	81	76	72	0° - 180°	600	100.0	100.0
	55°	15	13	6	87	78	72	77	72	68	76	71	67				
	65°	5	5	7	83	74	67	73	67	63	72	66	63				
	75°	3	3	8	79	69	63	69	63	59	68	63	59				
	85°	0	0	9	75	66	60	65	60	56	64	59	55				
	90°	0	0	10	72	62	57	62	56	53	61	56	52				

Efficiency: 100.0%

## INSTALLATION & DIMMING



Retrofit installation with Edison base socket adapter



New construction with quick-disconnect and L7XLED T24 rough-in

## DIMENSIONS

Drawings are for dimensional detail only and may not represent actual mechanical configuration. Dimensions are shown in inches (centimeters) unless otherwise noted.

